



US006274767B1

(12) **United States Patent**
Pagani et al.

(10) **Patent No.:** **US 6,274,767 B1**
(45) **Date of Patent:** **Aug. 14, 2001**

(54) **PROCESS FOR THE REVAMPING OF UREA SYNTHESIS PLANTS CONSISTING OF A STRIPPER WITH AMMONIA**

(75) Inventors: **Giorgio Pagani**, Milan (IT); **Umberto Zardi**, Breganzona (CH)

(73) Assignee: **Urea Casale, S.A.** (CH)

(*) Notice: Subject to any disclaimer, the term of this patent is extended or adjusted under 35 U.S.C. 154(b) by 0 days.

This patent is subject to a terminal disclaimer.

(21) Appl. No.: **07/987,127**

(22) Filed: **Dec. 8, 1992**

(30) **Foreign Application Priority Data**

Nov. 19, 1992 (CH) 03544/92

(51) **Int. Cl.**⁷ **C07C 273/04**; B01J 8/04

(52) **U.S. Cl.** **564/67**; 203/31; 422/188; 422/189; 422/191; 422/193; 423/359; 564/68; 564/69

(58) **Field of Search** 564/67, 69, 70, 564/71, 72, 63; 203/31; 422/188, 189, 191, 193; 423/359

(56) **References Cited**

U.S. PATENT DOCUMENTS

3,091,637 5/1963 Cook et al. .
3,470,247 * 9/1969 Guadaluki 564/72
4,210,600 7/1980 Zardi .
4,670,588 * 6/1987 Zardi 564/72

4,801,746 * 1/1989 Baenens 564/72

FOREIGN PATENT DOCUMENTS

0155735 3/1985 (EP) .
479103A1 * 4/1992 (EP) .
0497215 5/1992 (EP) .
6808167 6/1968 (NL) .

OTHER PUBLICATIONS

R. Powell, *Urea Process Technology*, pp. 88–146 (1968).
Abstract of GB 1,147,734.
File history from Opposition to EP–B 479 102, i.e., Patentee’s letter of Jul. 11, 1997.
Schematic results of calculation performed by Dr. Granelli of Snamprogetti.

* cited by examiner

Primary Examiner—Shailendra Kumar

(74) *Attorney, Agent, or Firm*—Ostrolenk, Faber, Gerb & Soffen, LLP

(57) **ABSTRACT**

Process for the revamping of urea production plants for the synthesis of ammonia (NH₃) and carbon dioxide, with a stripping section with NH₃, in which the process carries out with differentiated yields, a majority reaction a) between highly pure reagents and a reaction b) between less pure substantially recycled reagents, according to European Patent No. 91116297.2/0479103. According the invention, the urea solution is now fed upstream the stripping section and a reactor with heat removal is utilized. Advantageous, the production capacity of the existing reactor is reduced, with respect to the projected one, in a quantity of 35% to 5%, preferably from 20% to 10%, in favor of the capacity of the “once-through” reactor.

5 Claims, 3 Drawing Sheets

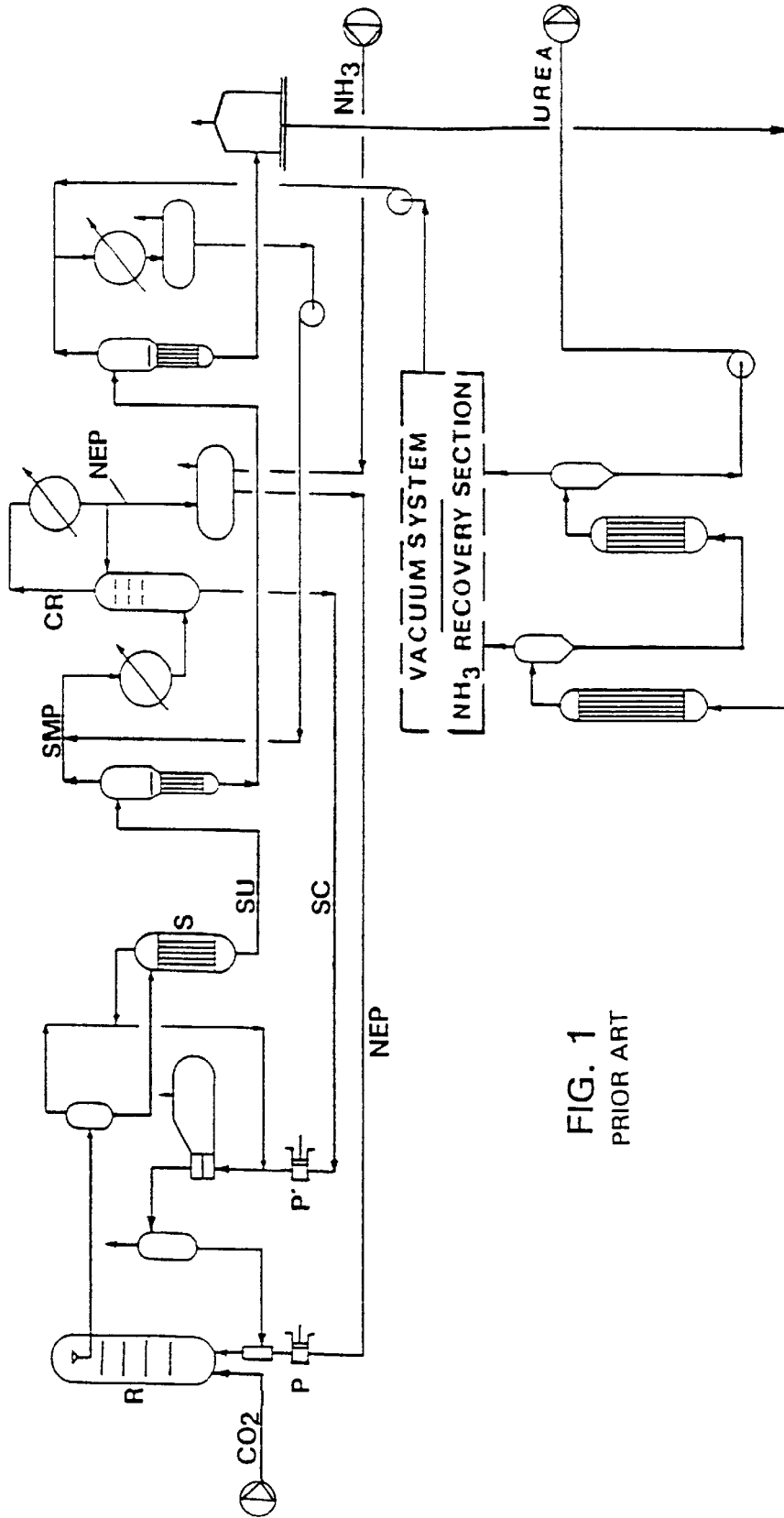


FIG. 1
PRIOR ART

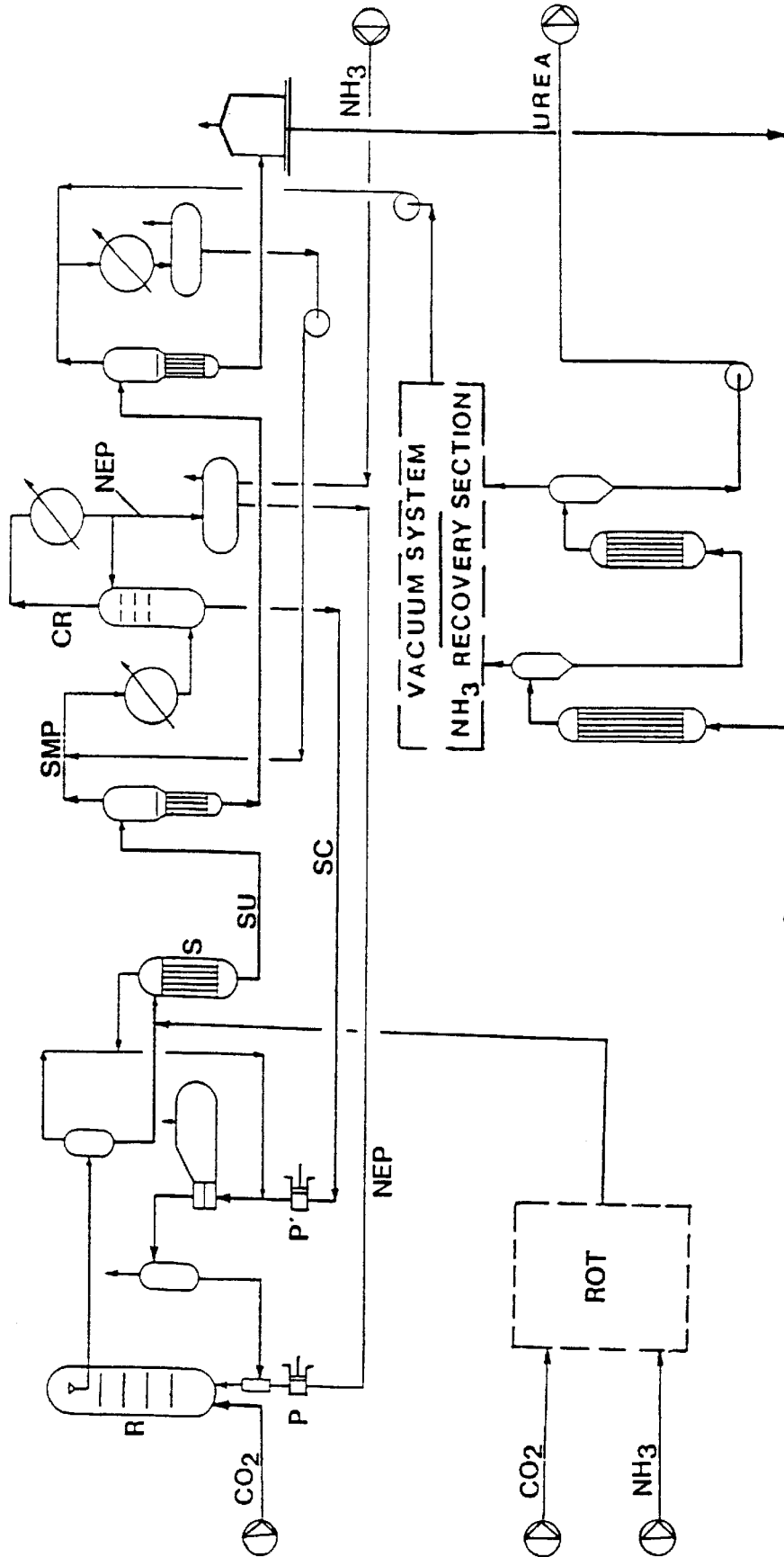


FIG. 2

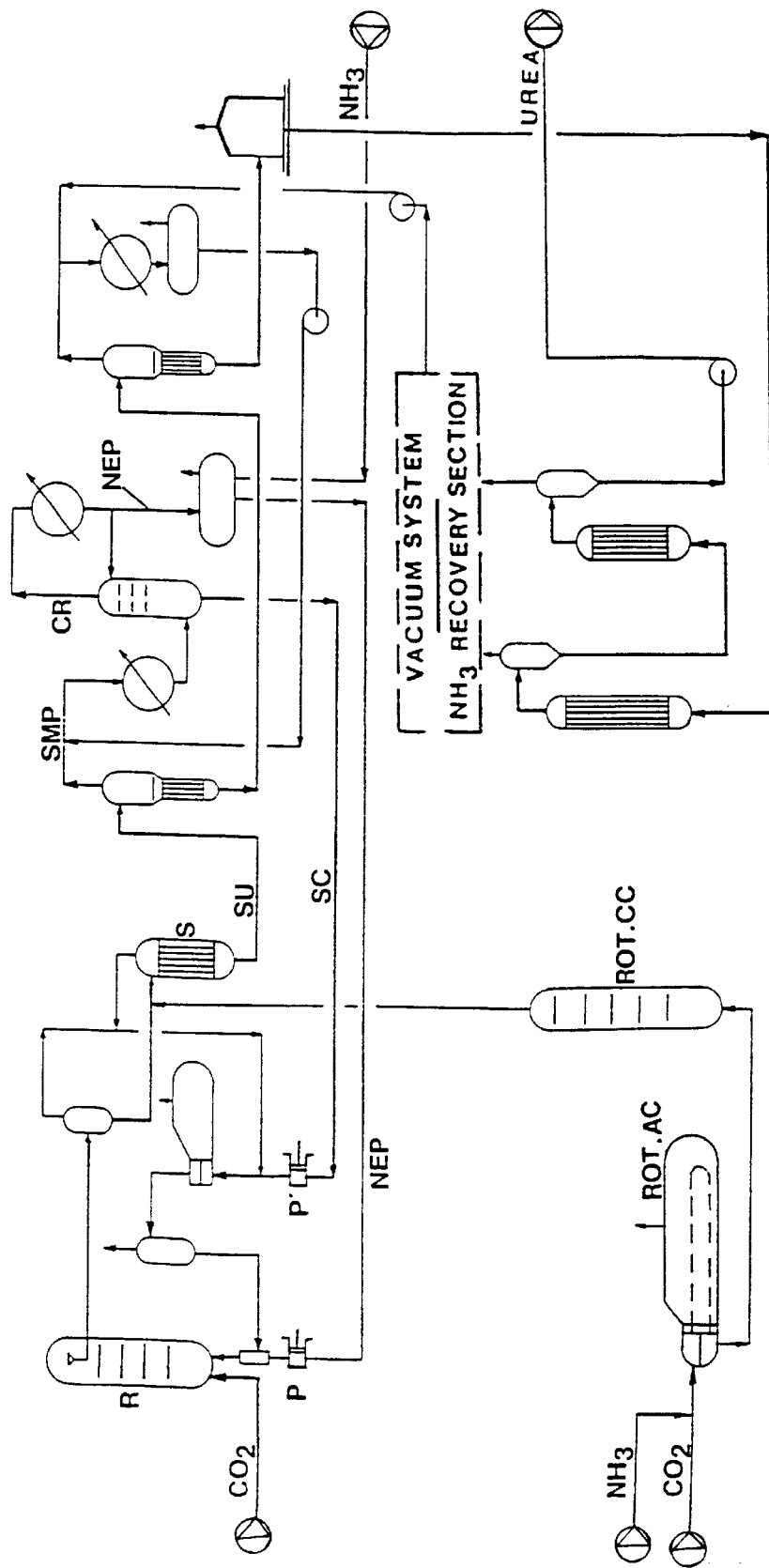


FIG. 3

PROCESS FOR THE REVAMPING OF UREA SYNTHESIS PLANTS CONSISTING OF A STRIPPER WITH AMMONIA

DESCRIPTION

This invention concerns a process for the industrial synthesis of urea, by reacting ammonia (NH₃) and carbon dioxide (CO₂), in at least one reaction space at very high pressures and temperatures, and by recycling at least partially the non-reacted products obtained in a recovery section, in which the following actions take place: a) a synthesis reaction between highly pure reagents and b) a synthesis reaction between less pure reagents substantially recycled from said recovery section.

A highly innovative and novel process of this kind is described in European Patent Application No. 91116297.2/0479103 by the Applicant.

A very advantageous invention, the process according to above mentioned European Patent Application, is based on an original combination of two synthesis reactors placed in parallel, one operating according to the so-called "once through" technology (i.e. fed by pure reagents without recycle water) with high yield, and a second reactor according to the total recycle technology (i.e. fed not only by pure reagents, but also with a aqueous recycle solution) with high yield.

In this manner it is possible to obtain very high global conversion yields of CO₂ into urea, much higher than those obtainable with conventional processes. In said European Patent Application No 91116297.2 an example is shown of the revamping of a urea plant based on the urea production process with NH₃ stripping (selfstripping).

Continuing their research and experiments, the Applicants were able to develop a new revamping process applicable to existing Ammonia Stripping Urea Plants consisting of a stripping stage with NH₃, with the aim of notably increasing the capacity and reducing the energy consumption.

This new process is to be considered an original variation of the invention cited in the said European Patent Application.

In particular, in FIG. 3 of the published Patent No. 0479103, a stripping plant with NH₃ was shown revamped with the addition of a high yield reactor R in parallel to the "once through" reactor (in particular of the Vulcan type), the urea solution of which was sent directly downstream to the existing HP stripper. It should be noted that said reactor was of adiabatic type, in the sense that all the reaction heat developed from the formation of ammonium carbamate and subsequently dehydrated to urea, was needed to make the reactants reach the necessary operating temperature of the reactor.

The aim of this invention is now to provide an improved process that consents the obtainment of average high conversion yields, reduction of investment and operation costs, better plant exploitation and more ample overload margins of the existing equipment, and considerable plant debottlenecking.

This and other aims are reached with a kind of process, according to the said European Patent Application No. 91116297.2/0479103, characterized now by the fact that from the parallel reactor ("once through") at least a part of the reaction heat is removed, and the relevant urea solution is sent upstream the existing stripper. Very advantageously, the production capacity of the existing reactor is reduced with respect to the projected one, and the capacity of the "once through" reactor is increased correspondingly.

Various aspects and advantages of the invention will be better illustrated by the description of the attached drawings, in which:

FIG. 1 is a conventional scheme of a ammonia stripping process;

FIG. 2 is a scheme resulting from the application of the invention of said conventional type plant as shown in FIG. 1; and

FIG. 3 is a scheme with a "once through" reactor in two pieces.

In order to clarify the idea better, FIG. 1 illustrates the conventional scheme of an isobaric stripping process with a synthesis reactor (stripping with NH₃, selfstripping) (FIG. 1).

In the stripper (S) a large part of the carbamate contained in the urea solution exiting from the reactor (R) and part of the free NH₃ present are stripped and recycled to the reactor, while a urea solution (SU) is obtained exiting from the stripper (S) having a relatively low residual CO₂ content (5-7% weight), and a relatively high NH₃ content (22-25% weight). This solution (SU) is treated in one medium pressure stage (SMP) where it is distilled at 18+20 bar and the vapors obtained are sent to a rectifying column (CR) that consents to obtain highly pure NH₃ (NEP) at the top, and carbamate solution (SC) at the bottom.

The highly pure NH₃, previous to condensation, is mixed together with the NH₃ feed (NA) and is pumped (Pump P) to reactor (R), and the same process is carried out with the carbamate solution (Pump P').

The main technical characteristics of the isobaric ammonia stripping process can be summarized as follows:

| | |
|---|-----------------|
| synthesis pressure | ~150 bar |
| NH ₃ /CO ₂ mol in the reactor | ~3.2-34.4 |
| H ₂ O/CO ₂ mol in the reactor | ~0.6-0.8 |
| temperature of the reactor | 190° C. |
| yield | ~62-63% |
| steam consumption | ~900 kg/MT urea |

The above mentioned values are quite consolidated and great improvements to the process do not seem possible.

In FIG. 2 the same process diagram as in FIG. 1 is shown, except modified according to this invention, i.e. with the addition of a parallel reactor of the "once through" type ROT, the urea solution of which is sent to the line upstream the existing stripper, may be a reactor of adiabatic type or with partial removal of the reaction heat.

In any event, in the preferred embodiment of this invention the use of the "once through" reactor ROT with partial reaction heat removal results particularly suitable for the revamping of stripping plants with NH₃.

In fact it was found that it is possible to revamp in an even more efficient manner plants of the types as in FIG. 1, still within the limits of the process at differentiated yields, according to said European Patent Application, by foreseeing as parallel reactor, a "once through" type reactor with partial removal of the reaction heat and by sending the urea solution not downstream, but upstream the existing stripper.

In FIG. 3 a scheme of a stripping plant with NH₃ is shown, with the addition of a parallel reactor of the "once through" type ROT, subdivided into two parts:

"primary reactor" with reaction heat removal ROT.AC;

"secondary reactor" of conventional type ROT.CC.

In general the ROT.AC is a reactor known as a "Kettle" type reactor.

It should be noted that similar reactors have been built in various urea solution production plants by the American Company Weatherly.

The use of these reactors for the revamping of said plants is particularly interesting, because they can be fed by the existing ammonia pumps that have a delivery pressure higher than the operating pressure of the reactors (260 bar against 240 bar).

This fact consents a notable reduction of investment cost.

Another interesting aspect of this invention is that it is possible, by evenly distributing the load on the existing reactor and on the "once through" one, thus obtaining an average conversion yield notably higher than the typical one of the original project, and this fact consents the acquisition of more ample overloading margins for the key plant equipment, such as the stripper, carbamate condenser, MP distiller and considerable debottlenecking of the plant itself. In an advantageous way, the production capacity of the existing plant is reduced in favor of the "once through" reactor, to an quantities inferior by 40%, from, for example, 35% to 5%, preferably below 30%, and better yet if in the order of 20-10%. this signifies that the production in the "once through" reactor increases correspondingly 35-5%, typically 20-10%.

In order to better clarify these concepts, an example of the revamping of an existing 1500 MTD urea stripping plant with NH₃ is given (of course, in a not limitative way).

The aim of the revamping is to increase the capacity of the synthesis sections and distillation at 145 bar 18 bar, and 4 bar (HP, MP, LP) by adding a new reactor of the "once through" type in parallel to the existing one.

The new capacity shall be 1500x1.5=2250 MTD urea.

As already mentioned, it is possible to maintain or to reduce the thermal load of the main equipment (excluding the vacuum section), by evenly distributing the load between the two reactors. In the case herein considered, the optimal distribution is as follows:

| | |
|------------------|----------------------|
| Existing reactor | 1350 MTD urea |
| New reactor | 900 MTD urea |
| TOTAL | 2250 MTD urea |

The operating conditions of the reactors are:

| | |
|--------------------------------------|----------|
| <u>a) Reference Case</u> | |
| Existing reactor: | |
| capacity | 1500 MTD |
| NH ₃ /CO ₂ mol | 3.6 |
| H ₂ O/CO ₂ mol | 0.68 |
| Yield | 62% |
| P = 145 bar T = 190° C. | |
| <u>b) New Conditions</u> | |
| b.1 Existing Reactor: | |
| Capacity | 1350 MTD |
| NH ₃ /CO ₂ mol | 3.6 |
| H ₂ O/CO ₂ mol | 0.75 |
| Yield | 61% |
| P = 145 bar T = 190° C. | |
| b.2 "Once Through" Reactor | |
| Capacity | 900 MTD |
| NH ₃ /CO ₂ mol | 3.6 |

-continued

| | |
|--------------------------------------|-----|
| H ₂ O/CO ₂ mol | 0 |
| Yield | 75% |
| P = 242 bar T = 193° C. | |

The weighed yield of the two reactors operating in parallel is:

$$\frac{1350 \times 61 + 900 \times 75}{2250} = 66.6\%$$

i.e. 4.6 percentage points in respect to the reference case. This corresponds to a minor specific steam consumption of 100+130 Kg/MT urea, despite the increase of capacity.

It results that the capacity of the existing stripper, MP and LP distillers and carbamate condenser are adequate also for the new operating conditions.

What is claimed is:

1. A method of revamping a pre-existing urea production plant having a first urea synthesis reactor in fluid communication with an ammonia stripping section for separating free ammonia and carbamate from an aqueous urea solution discharged from said first reactor, said method comprising the steps of:

- a) providing a second urea synthesis reactor of the once-through type having a higher efficiency yield than said first urea synthesis reactor;
- b) connecting said second urea synthesis reactor upstream of said ammonia stripping section, in a manner that permits distribution of an overall production capacity exceeding that of said pre-existing plant so as to apportion from 60 to 95% of said overall capacity to said first urea synthesis reactor and from 5 to 40% of said capacity to said second urea synthesis reactor.

2. The method of claim 1, wherein said second reactor is capable of partially removing heat during reaction.

3. The method of claim 1, wherein said second reactor has a primary section for partial removal of reaction heat followed by a secondary section.

4. The method of claim 3, wherein said primary section comprises a Kettle reactor.

5. A method of revamping a pre-existing urea production plant having a first urea synthesis reactor in fluid communication with an ammonia stripping section for separating free ammonia and carbamate from an aqueous urea solution discharged from said first reactor, said method comprising the steps of:

- a) providing a second urea synthegic reactor of the once-through type having a higher efficiency yield than said first urea synthesis reactor;
- b) connecting said second urea synthesis reactor upstream of said ammonia stripping section; and
- c) providing, to said plant, a means for apportioning from 60 to 95% of an overall load to said first urea synthesis reactor and from 5 to 40% of said overall load to said second synthesis reactor, wherein said overall load exceeds that of said pre-existing plant.

* * * * *